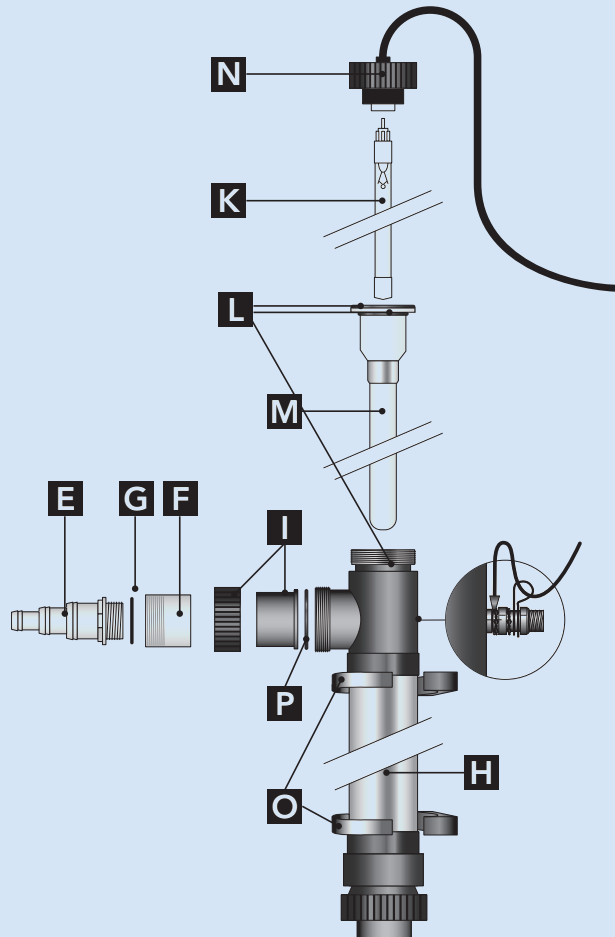


## ULTRAFLEX UV-C



| Item No.  | Type                                     | Part |
|-----------|------------------------------------------|------|
| XE03752   | Ultraflex UV-C 75 Watt T5                |      |
| F980079BU | T5 lamp 75 Watt for Tech/Flex UV-C       | K    |
| QG017     | Quartz sleeve 695 x 25 mm 40/75 Watt     | M    |
| 3902041   | O-ring 56 x 3 mm UV-C                    | L    |
| EP075017  | Electrics Ultraflex UV-C 75 Watt         | N    |
| 3903752   | Housing Ultraflex UV-C 75 Watt           | H    |
| E800940   | 3-Way connection 63 mm black             | I    |
| E800941   | O-ring for 3-way connection 63 mm        | P    |
| F990115   | Reduction piece 1,5" wire x 63 out 50 in | F    |
| 3902046   | Sealing ring 1½"                         | G    |
| E801128   | Universal adaptor 1½" 40x32x25mm clear   | E    |
| E801107   | Tube clip 75 mm PP Black                 | O    |