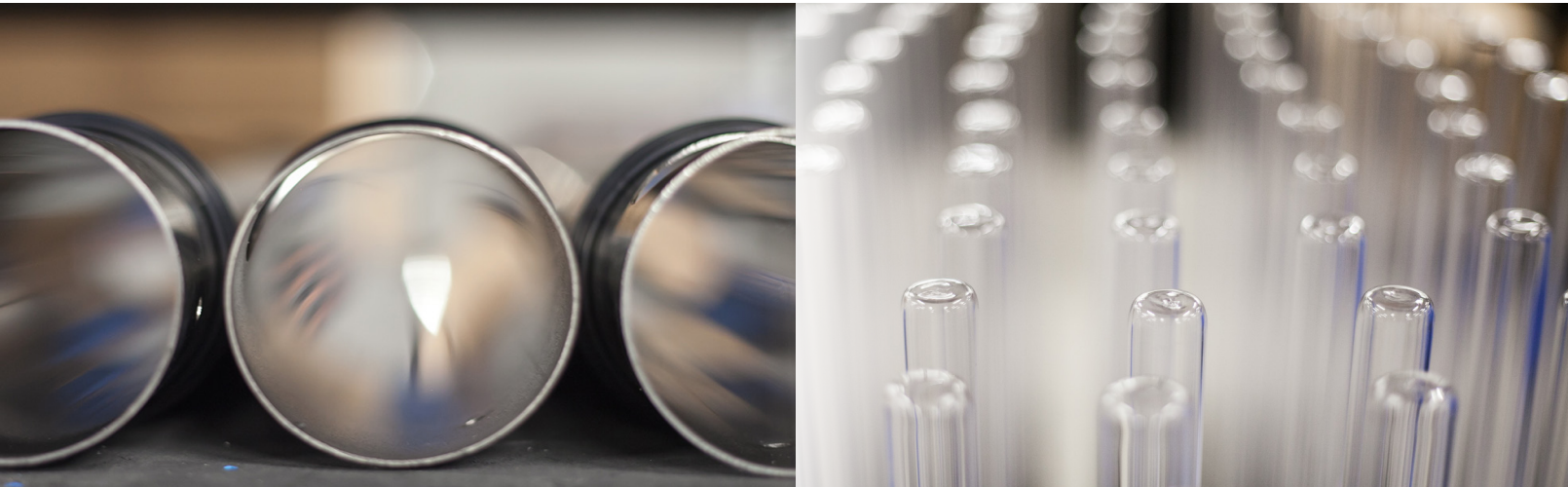


POND
PRODUCT
CATALOGUE
2024

INTRODUCTION



WELCOME TO XCLEAR

A garden pond is a symbol of life. To ensure the flourishing of the flora and fauna within your pond, it is crucial to maintain the water in a perfect state of balance. This is where your filter technology becomes indispensable, requiring daily attention.

For those seeking optimal health and clarity for their pond water, look no further than Xclear UV-C disinfection systems and pond equipment. These reliable solutions provide the best means of keeping your pond water clean and transparent. Whether you have a professionally designed koi pond or a do-it-yourself project, Xclear offers a range of products suitable for any situation.

Xclear is a registered trademark of VGE B.V., a company located in the southern region of the Netherlands. With more than four decades of experience since its establishment in 1982, VGE has developed high-quality and innovative products for ponds, pools, and industrial applications. At the VGE headquarters, Xclear products are meticulously designed, manufactured, and assembled by a team of dedicated professionals. These experts maintain close communication with customers from over 70 countries worldwide.

VGE B.V. places great emphasis on innovation, maintaining its own product development department dedicated to introducing new products and enhancing existing ones. Innovative thinking is one of our core strengths, as we continually tailor our offerings to align with current pond trends and meet the diverse needs of our customers.

The successful Xclear product range is also available for private labeling. To learn more about this opportunity, please get in touch with our sales department for detailed information.

CONTACT:

VGE B.V.

Nieuwe Eerdsebaan 26
5482 VS Schijndel
The Netherlands

T: +31 (0) 88 222 1999
info@vgebv.nl
www.vgebv.com

FOR MORE INFORMATION:

 www.xclear.nl
 www.facebook.com/vgebv
 www.linkedin.com/company/vge-bv

UV-C DISINFEKTION 4

UV-C DISINFEKTION SYSTEMS 6 - 16

Economy UV-C	6
Professional UV-C	7
Flex Inox UV-C	8
Professional UV-C Ø110	7
Jumbo Tech UV-C	10
130 W Amalgam UV-C	11
Inox UV-C	12
Immersion UV-C	13
Module UV-C	14
Xclear Pond UV-C	15
VGE Pro	16

UV-C LAMPS 21 - 23

UV-C lamps	21
TL bulbs T5 & T6 bulbs	22
PL bulbs Unit Specific Lamps	23

POND EQUIPMENT AND SUPPLIES 25 - 29

Anti Algae Copper Electrolyzer	25
Pre-Filter	26
Fish Feeder	27
ProfiHeater Anti Algae Copper Electrolyzer Static Mixer	28
Flow Switch Plus	29
Bio Balls Bio Blocks	29

PROMOTIONAL ACTIVITIES 30

PRIVATE LABEL 31



SALTWATER

Our special UV resistant saltwater housing is highly resistant to corrosive water and therefore very suitable for salt water applications.



STAINLESS STEEL HOUSING

A stainless steel interior provides a reflection of UV radiation and this increases the efficiency of the radiation by up to 35%. In addition, the stainless steel ensures a longer life of the housing.



ALUMINIUM HOUSING OR INTERIOR

An aluminium housing or coating on the inside provides a reflection of the UV-C radiation and this increases the efficiency of the radiation by up to 35%.



ONLY POND PRO

The product is only intended for professional use. It should be installed in a professional application or assembled with other appliances.

UV-C DISINFECTION

UV-C TREATMENT

Over 100 years ago German scientists discovered that the top surface of lake-water was sterile when exposed to sunlight. Investigation led to the discovery of Ultraviolet light. Situated in the electromagnetic spectrum between X-rays and visible light, Ultraviolet (UV) light has many beneficial properties. UV light is split into four main categories, UV-A, UV-B, UV-C and Vacuum UV. The UV-C spectrum (200 to 280 nanometers) is the most lethal range of wavelengths for microorganisms. This range, with 254 nanometers being the peak germicidal wavelength, is known as the Germicidal Spectrum. UV-C light has the ability to cause permanent damage to a wide variety of nuisance microorganisms in water.

THE TARGETED MICROORGANISM

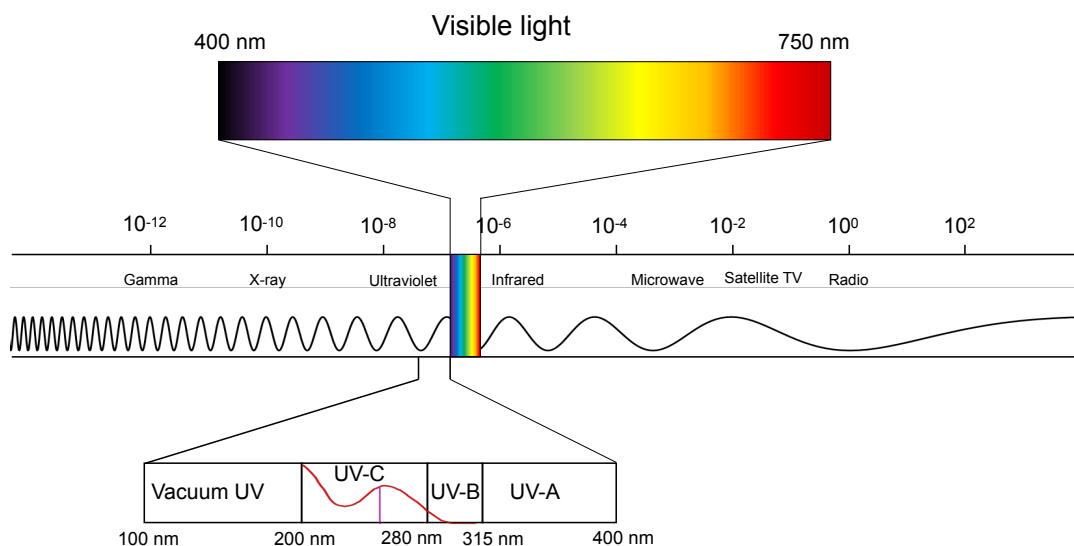
Each type of microorganism requires a specific UV-C radiation exposure rate to successfully complete the disinfection process. The targeted microorganism must be directly exposed to the UV-C radiation long enough for the radiation to penetrate the microorganisms cell wall. However, it takes only seconds for UV-C light rays to inactivate waterborne microorganisms by breaking through the microorganisms cell wall and disrupting their DNA. This often totally destroys the organism, or at the very least will impair its ability to reproduce.

UV-C LAMP LIFESPAN

TL-, PL- and T5 UV-C lamps have an average lifespan of minimal 9000 hours (\pm 1 year). After that the lamp will still function, but the strength is too low to kill algae and bacteria. Amalgam lamps have a lifespan of 16000 hours.

UV-C BENEFITS

- The solution against green pond water
- UV-C is effective against all microorganisms
- Improved water quality
- A crystal clear pond
- Protects fish from germs and harmful microorganisms
- Less energy and maintenance costs
- No harmful chemicals required
- UV-C is a non-hazardous, green technology
- Cannot be overdosed



UV-C DISINFECTION SYSTEMS

A UV-C disinfection system is indispensable to any pond. UV-C Light ensures healthy circumstances of flora and fauna in and around the pond. Next to being highly efficient against floating algae, UV-C makes sure that harmful bacteria and other microorganisms are rendered harmless which ensures a clear and healthy pond. The user-friendly range of Xclear UV-C disinfection systems is the solution for these common pond problems. The wide range of Xclear UV-C is thoughtfully designed and tested with a strong focus on low-maintenance, safe and easy to apply pond solutions.

Item No.	Type	Weight (kg)	Length (cm)	Width (cm)	Height (cm)	Quantity full pallet	EAN
XE01092	Xclear Economy UV-C 9 W	1,5	31	23	11	100	8714404009157
XE01112	Xclear Economy UV-C 11 W	1,6	31	23	11	100	8714404009010
XH01182	Xclear Professional UV-C 18 W	3,1	60	25	11	54	8714404037730
XH01362	Xclear Professional UV-C 36 W	3,8	55	33	12	40	8714404037808
XH01552	Xclear Professional UV-C 55 W	4,2	99	28	12	40	8714404037877
XE04402.1	Xclear Flex UV-C INOX 40 W	3,2	77	21	13	60	8714404042802
XE04752.1	Xclear Flex UV-C INOX 75 W	3,2	77	21	13	60	8714404042819
XH07752	Xclear Professional UV-C Ø 110 T5 75 W	5,1	103	27	14	24	8714404004398
XH07132	Xclear Professional UV-C Ø 110 Amalgam 130 W	7,1	103	27	14	24	8714404004466
XH04402	Xclear Jumbo Tech UV-C 40 W	4,4	99	28	12	30	8714404034869
XH04752	Xclear Jumbo Tech UV-C 75 W	4,7	99	28	12	30	8714404034791
XH06132	Xclear 130 W Amalgam UV-C with flow switch	4,9	99	28	12	30	8714404030052
XP02752	Xclear Inox UV-C 75 W	11,2	105	26	18	18	8714404038539
XP02132	Xclear Inox UV-C 130 W Amalgam	11,6	105	26	18	18	8714404038546
XP01402	Immersion UV-C 40 W						8714404041157
XP01752	Immersion UV-C 75 W						8714404041294
XP01402.1	Immersion UV-C 40 W Amalgam						8714404041225
XP01802	Immersion UV-C 80 W Amalgam						8714404041362
XP08402	Xclear Module UV-C 40 W Amalgam	-	58	26	12	-	8714404979863
XP08802	Xclear Module UV-C 80 W Amalgam	-	58	26	12	-	8714404979726
XP09402	Xclear Module UV-C 40 W Amalgam Signal	-	58	26	12	-	8714404979658
XP09802	Xclear Module UV-C 80 W Amalgam Signal	-	58	26	12	-	8714404979580

POND EQUIPMENT AND SUPPLIES

Item No.	Type	Weight (kg)	Length (cm)	Width (cm)	Height (cm)	Quantity full pallet	EAN
3300029	Xclear Anti Algae Copper Electrolyzer	2,3	54	25	11	40	8714404039093
6051800N	Xclear Automatic Fish Feeder	3	58	58	47	32	8714404033688
5053029	Xclear Pre-filter		720 mm	Ø110 mm			
6900455	ProfiHeater 1 kW (860 kcal/h)						8714404036825
6900456	ProfiHeater 2 kW (1720 kcal/h)						8714404036894
6900457	ProfiHeater 3 kW (2580 kcal/h)						8714404036962
4800016	Static Mixer Ø 75 mm						8714404035842
4800030	Static Mixer Union Ø 75 mm						8714404039918
5056581	Flow Switch Plus 120 V (type B)						8714404044417
5056585	Flow Switch Plus 230 V (type E)						8714404044349
5056577	Flow Switch Plus 230 V (type F)						8714404044271
5056589	Flow Switch Plus 230 V (type G)						8714404044936
4902611	Bio Balls Bag	10 liter					
4902017	Bio Balls 30 mm big bag	(± 72.000 pieces)		Ø 30 mm			
4902613	Bio Blocks Bag	10 L (± 90 pcs.)		Ø 50 mm	29 mm		
4902629	Bio Blocks Bag	25 L (± 225 pcs.)					
4902010	Bio Blocks Bag	± 500 pcs.					
4902015	Bio Blocks Bag	± 2.000 pcs.					

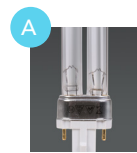
UV-C DISINFECTION SYSTEMS

ECONOMY UV-C



The Economy UV-C is designed for small ponds.

- Keeps your pond clear and your fish healthy.
- Including hose connectors 1" – 25/20/15.
- Friendly price range.
- Suitable for saltwater applications.

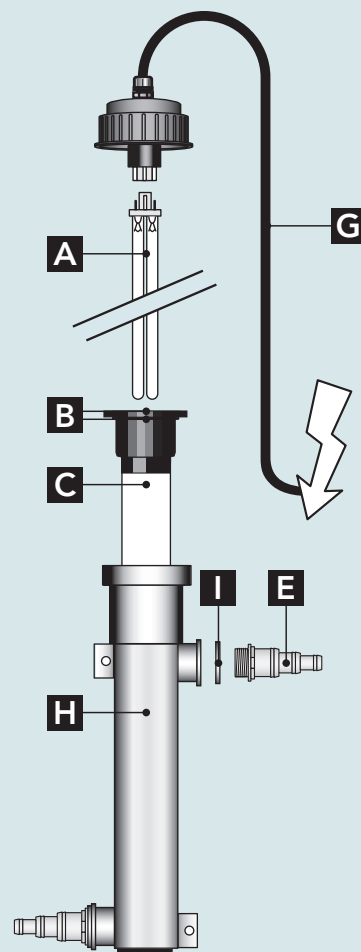


for more lamp information see page 21-23

Item No.	Type	UV-C Lamp	Pond volume	Max. flow	Max. Pressure
XE01092	Economy UV-C 9 W	9 W PL-S	7.000 l	3 m ³ /h - 50 l/min	1 bar
XE01112	Economy UV-C 11 W	11 W PL-S	10.000 l	5 m ³ /h - 83 l/min	1 bar

ECONOMY UV-C SPARE PARTS

Item No.	Type	Part
XE01092	Xclear Economy UV-C 9 W	
XE01112	Xclear Economy UV-C 11 W	
3903010	Lamp Philips TUV PL-S 9 W /2P Base A	A
3903020	Lamp Philips TUV PL-S 11 W /2P Base A	A
3101113	Quartz Glass Standard 215 x 40 mm 9 W AM	C
3101114	Quartz Glass Standard 277 x 40 mm 11 W AM	C
3902041	O-ring 56 x 3 mm UV-C	B
EP011001	Electrics Economy UV-C 5/9/11 W	G
3903572	Housing Economy UV-C 9 W	H
3903573	Housing Economy UV-C 11 W	H
7100543	Universal adaptor 1" 25 x 20 x 15 mm clear	E
3902040	Sealing ring 1"	I



PROFESSIONAL UV-C

The Professional UV-C is equipped with high-quality components combined with a Philips PL UV-C lamp.

- Guaranteed maximum performance and durability.
- Stainless steel body for maximum durability.
- These disinfection systems come with 63mm PVC connection fittings with adaptors to 50mm/1½" fem. threading.
- These disinfection systems come with hose connectors 1½" – 40/32/25mm.

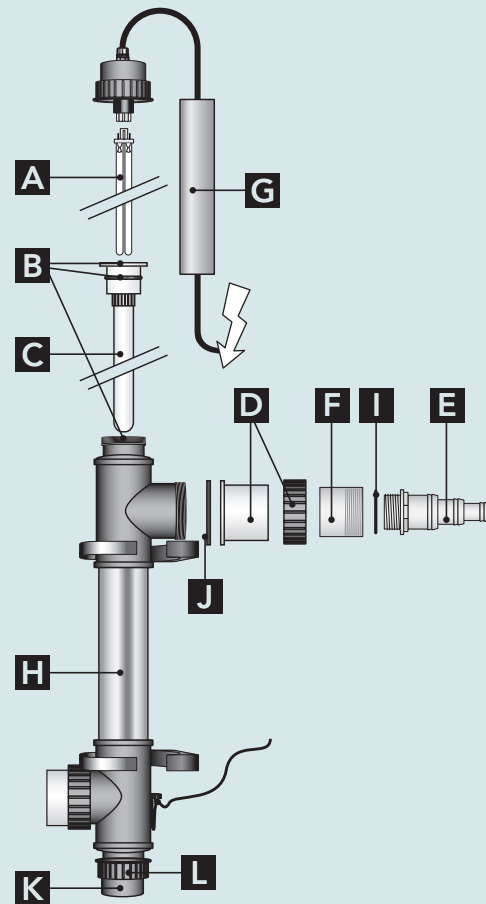


for more lamp information see page 21-23

Item No.	Type	UV-C Lamp	Pond volume	Max. flow	Max. Pressure
XH01182	Professional UV-C 18 W	18 W PL-L	15.000 l	6.000 l/h	2 bar
XH01362	Professional UV-C 36 W	36 W PL-L	35.000 l	10.000 l/h	2 bar
XH01552	Professional UV-C 55 W	55 W PL-L	55.000 l	15.000 l/h	2 bar

PROFESSIONAL UV-C SPARE PARTS

Item No.	Type	Part
XH01182	Xclear Professional UV-C 18 W	
XH01362	Xclear Professional UV-C 36 W	
XH01552	Xclear Professional UV-C 55 W	
3903030	Lamp Philips TUV PL-L 18 W /4P Base B	A
3903040	Lamp Philips TUV PL-L 36 W /4P Base B	A
3903050	Lamp Philips TUV PL-L 55 W /4P Base B	A
QG008	Quartz Glass VSC 280 x 44 mm 18 W AM	C
QG009	Quartz Glass VSC 461 x 44 mm 36 W AM	C
QG022	Quartz Glass VSC 603 x 44 mm 55 W AM	C
3902041	O-ring 56 x 3 mm UV-C	B
EP036001	Electrics for 18/36 W Professional 230 V	G
EP055001	Electrics for 55 W Professional	G
3903673	Housing 18 W Professional UV-C	H
3903674	Housing 36 W Professional UV-C	H
3903675	Housing 55 W Professional UV-C	H
E800940	3-way connection 63 mm black	D
E800941	O-ring for 3-way connection 63 mm	J
F990115	Reduction piece 1,5" wire x 63 out 50 in	F
3902046	Sealing ring 1½"	I
E801128	Universal adaptor 1½" 40 x 32 x 25 mm clear	E
4800069	Replacement set for housing Professional UV-C	-
3901045	Nut 70mm x 33.5mm black	L
SP0073	O-ring EPDM 59.99x2.62 Quartz Glass Stabilizer End cap black 32mm	K



UV-C DISINFECTION SYSTEMS

FLEX INOX UV-C



With 4 connections!

The Flex UV-C is an excellent solution when multiple flexible installation options are required.

- Multiple installation options thanks to the connection options.
- Including 63mm PVC connection fittings with adaptors to 50mm/1½" fem. threading.
- Including hose connectors 1½" – 40/32/25mm.
- The length of the disinfection system is only 85cm.



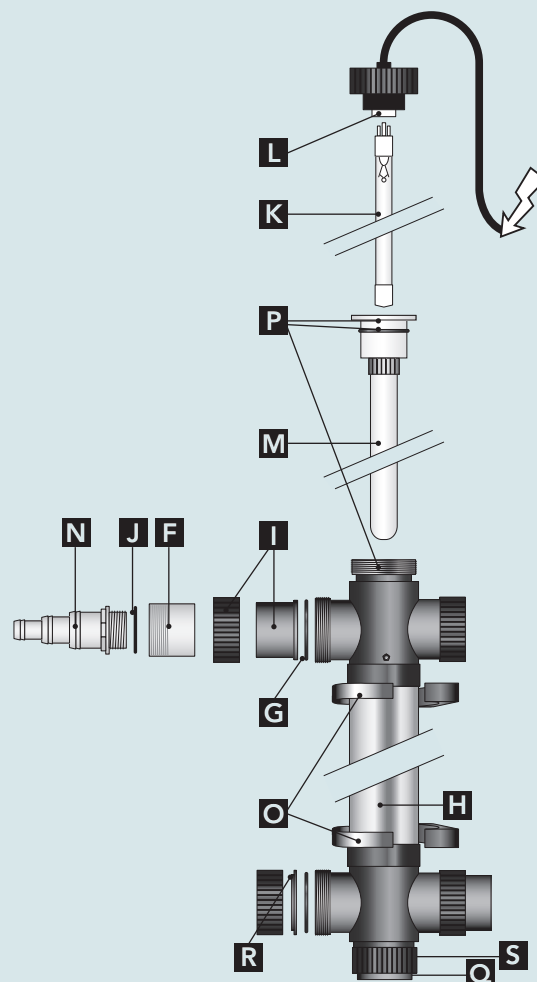
T5 40 W

for more lamp information see page 21-23

Item No.	Type	UV-C Lamp	Pond volume	Max. flow	Max. Press.
XE04402.1	Flex INOX UV-C 40 W	40 W T5	40.000 l	20 m³/h - 330 l/min	2 bar
XE04752.1	Flex INOX UV-C 75 W	75 W T5	75.000 l	25 m³/h - 417 l/min	2 bar

FLEX INOX UV-C SPARE PARTS

Item No.	Type	Part
XE04402.1	Flex INOX UV-C 40 W	
XE04752.1	Flex INOX UV-C 75 W	
F980078BU	Lamp VGE T5 40 W 4P Base F(bu)	K
F980079BU	Lamp VGE T5 75 W 4P Base G	K
QG017	Quartz Glass VSC 695 x 25 mm 40/75 W AM	M
3902041	O-ring NBR 56x3	P
EP040012	Electrics UV-C 40 W	L
EP075017	Electrics UV-C 75 W	L
H170009	Housing Black UV-C 40/75 W RVS 304	H
E800940	3-way connection 63 mm black	I
E800941	O-ring for 3-way connection 63 mm	G
F990115	Reduction piece 1,5" wire x 63 out 50 in	F
3902046	Sealing ring 1½"	J
E801128	Universal adaptor 1½" 40 x 32 x 25 mm clear	N
E801107	Tube clip 75 mm PP Black	O
F990196BU	Closing lid Flex UV-C	R
3901045	Nut 70mm x 33.5mm black	S
SP0073	O-ring EPDM 59.99x2.62 Quartz Glass Stabilizer End cap black 32mm	Q



PROFESSIONAL UV-C Ø110



The Professional UV-C is the best solution to reduce head pressure losses.

- 110mm connections.
- 110mm diameter stainless steel body for maximum durability.
- Ideal for gravity systems.
- Ideal in combination with low pressure pumps.
- Available with a Philips T5 or T6 amalgam lamp for optimal performance.
- 130 W amalgam has a flow switch to switch off the lamp when there is no water flow.



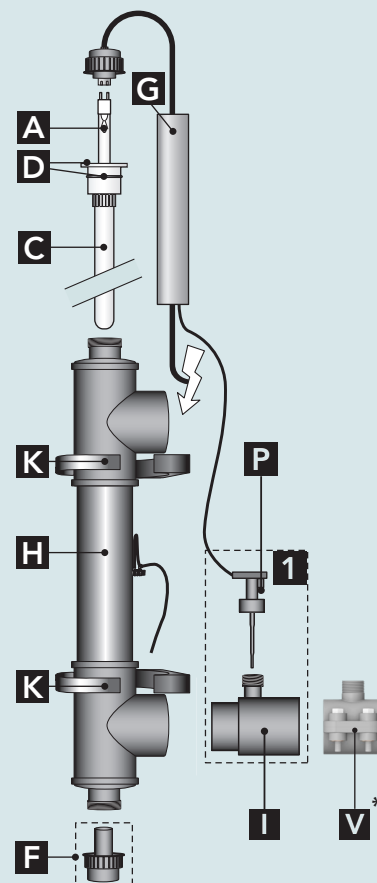
for more lamp information see page 21-23

Item No.	Type	UV-C Lamp	Pond volume	Max. flow	Max. Press.
XH07752	Professional UV-C Ø110 75 W	75 W T5	75.000 l	20 m ³ /h - 330 l/min	2 bar
XH07132	Professional UV-C Ø110 130 W	130 W T6 Amalgam	130.000 l	40 m ³ /h - 660 l/min	2 bar

PROFESSIONAL UV-C Ø110 SPARE PARTS

Item No.	Type	Part
XH07752	Xclear Professional UV-C Ø 110 T5 75 W	
XH07132	Xclear Professional UV-C Ø 110 Amalgam 130 W 1	
E800902P	Lamp Philips TUV 36T5 75 W HO 4P-SE Base C AM	A
E800904	Lamp Philips TUV XPT 130 W 4P-SE Amalgaam Base E	A
QG015	Quartz Glass VSC 933 x 25 mm 40/75/80 W AM	C
QG012	Quartz Glass VSC 920 x 30 mm 130 / 140 W AM	C
3902041	O-Ring 56 x 3 mm UV-C	D
EP075002	Electrics Jumbo UV-C 75 W	G
EP130001	Electrics 130 W Amalgam UV-C + flow switch	G
3903671	Housing Professional UV-C Ø110 75 W T5	H
3903672	Housing Professional UV-C Ø110 130 W Amalgam	H
F990107	End cap with lamp retainer 32 mm	F
B290020	Reduction piece 63/63 for flow switch	I
E801220	Flow Switch for 130 W Amalgam	P
4800079	Replacement for housing 130 W Amalgam	-
E801146	Mounting bracket 110 mm black	K

* Optional		
B290177	Tapping saddle 50x3/4" male thread for flow switch	V
B290170	Tapping saddle 63x3/4" male thread for flow switch	V
B290176	Tapping saddle 75x3/4" male thread for flow switch	V



UV-C DISINFECTION SYSTEMS

JUMBO TECH UV-C

The Jumbo Tech UV-C disinfection system is designed for ponds where a guaranteed contact time with UV-C is necessary.

- High intensity disinfection performance.
- 85 Centimeter lamp for longer contact time with UV-C light.
- Stainless steel body for maximum durability.
- Including 63mm PVC connection fittings with adaptors to 50mm/1½" fem. threading
- The length of the disinfection system is 95cm.

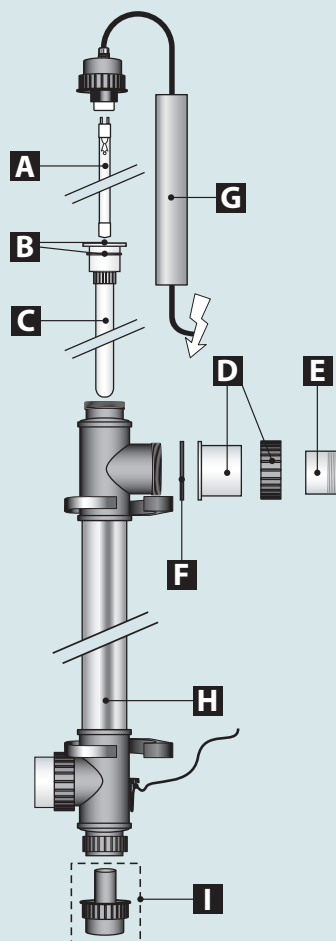


for more lamp information see page 21-23

Item No.	Type	UV-C Lamp	Pond volume	Max. flow	Max. Pressure
XH04402	Jumbo Tech UV-C 40 W	40 W Tech T5	40.000 l	20 m³/h - 330 l/min	2 bar
XH04752	Jumbo Tech UV-C 75 W	75 W Tech T5	75.000 l	25 m³/h - 417 l/min	2 bar

JUMBO TECH UV-C SPARE PARTS

Item No.	Type	Part
XH04402	Xclear Jumbo Tech UV-C 40 W	
XH04752	Xclear Jumbo Tech UV-C 75 W	
F980002	Lamp VGE T5 40 W 4P Base F	A
F980004	Lamp VGE T5 75 W 4P Base F	A
QG015	Quartz Glass VSC 933 x 25 mm 40/75/80 W AM	C
3902041	O-ring NBR 56x3	B
EP040001	Electrics Tech UV-C 40 W	G
EP075001	Electrics Tech UV-C 75 W	G
3903788	Housing Jumbo Tech UV-C 40/75 W	H
E800940	3-way connection 63 mm black	D
E800941	O-ring for 3-way connection 63 mm	F
F990115	Reduction piece 1,5" wire x 63 out 50 in	E
3901045	Nut 70mm x 33.5mm black	J
SP0073	O-ring EPDM 59.99x2.62 Quartz Glass Stabilizer End cap black 32mm	I



130 W AMALGAM UV-C WITH FLOW SWITCH



The 130 watt amalgam UV-C disinfection systems are suitable for environments where consistency of powerful radiation is required at all times.

- Including a flow switch to switch off the lamp when there is no water flow.
- Equipped with a high-quality 130 W Philips amalgam lamp
- Amalgam lamps are less affected by temperature fluctuations in the water.
- Generates a constant, powerful radiation.
- Stainless steel body for maximum durability.
- Including 63mm PVC connection fittings with adaptors to 50mm/1½" fem. threading.



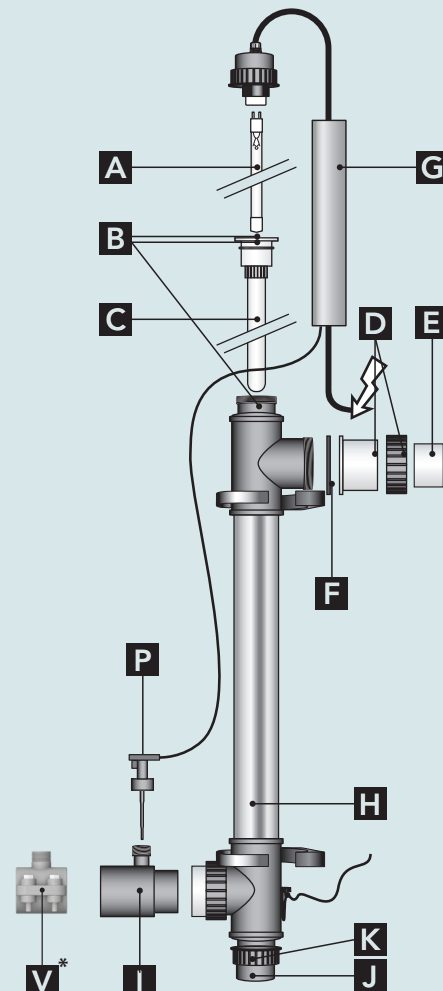
for more lamp information see page 21-23

Item No.	Type	UV-C Lamp	Pond volume	Max. flow	Max. Press.
XH06132	130 W Amalgam UV-C incl. flow switch	130 W Amalgam	130.000 l	30 m³/h - 500 l/min	2 bar

130 W AMALGAM UV-C WITH FLOW SWITCH SPARE PARTS

Item No.	Type	Part
XH06132	Xclear Tech UV-C 130 W Amalgam	
E800904	Lamp Philips TUV XPT 130 W 4P-SE Amalgaam Base E	A
QG012	Quartz Glass VSC 920 x 30 mm 130 / 140 W AM	C
E800912	Set (3pcs) O-ring for quartz glass	B
EP130001	Electrics 130 W Amalgam UV-C with flow switch	G
3903670	Housing for Amalgam UV-C 130 W	H
E800940	3-way connection 63 mm black	D
E800941	O-ring for 3-way connection 63 mm	F
F990115	Reduction piece 1,5" wire x 63 out 50 in	E
B290020	Reduction piece 63/63 for flow switch	I
B290021	Reduction piece 60/60 with 3/4" screw wire for flow switch amalgam	I
E801220	Flow Switch	P
3901045	Nut 70mm x 33.5mm black	K
SP0073	O-ring EPDM 59.99x2.62 Quartz Glass Stabilizer End cap black 32mm	J

* Optional		
B290177	Tapping saddle 50x3/4" male thread for flow switch	V
B290170	Tapping saddle 63x3/4" male thread for flow switch	V
B290176	Tapping saddle 75x3/4" male thread for flow switch	V



UV-C DISINFECTION SYSTEMS

INOX UV-C



ONLY
POND
PRO

The Inox UV-C disinfection system is the driving force for large (professional) pond installations.

- Ability to keep large ponds free of algae, bacteria and fungi.
- Designed to connect easily in large (professional) filter installations.
- Full 316L stainless steel body for maximum performance and durability.
- Equipped with a high quality Philips UV-C lamp.
- Including a flow switch to switch off the lamp when there is insufficient water flow.
- Generates a constant, powerful radiation.
- Integrated timer accurately monitors the number of operating hours.
- Lamp replacement indication.
- The length of the disinfection system is 100cm.
- 114mm diameter.
- 2" male threaded connections.



for more lamp information see page 21-23

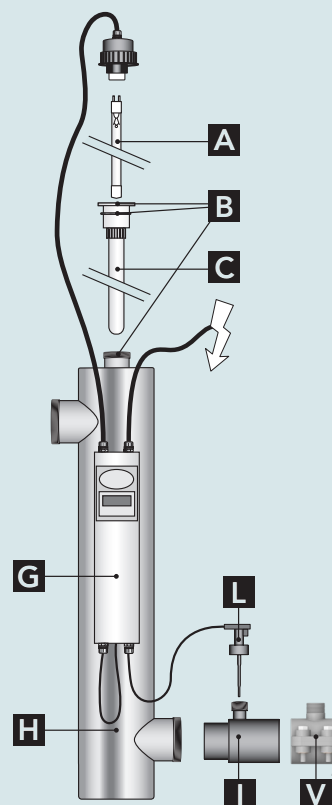
Item No.	Type	UV-C Lamp	Pond volume	Max. flow	Max. Press.
XP02752	Inox UV-C 75 W	75 W T5	75.000 l	20 m ³ /h 330 l/min	5 bar
XP02132	Inox UV-C 130 W	130 W T6 Amalgam	130.000 l	40 m ³ /h 660 l/min	5 bar

INOX UV-C SPARE PARTS

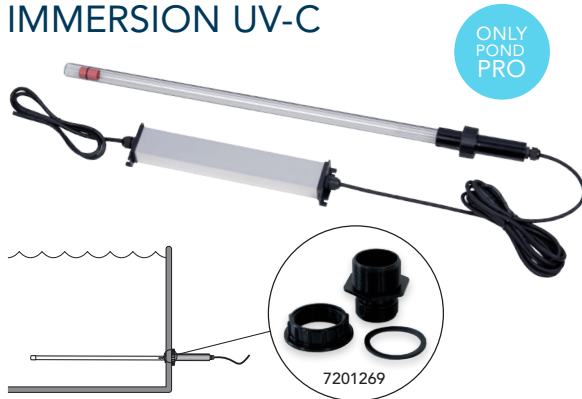
Item No.	Type	Part
XP02752	Xclear INOX UV-C 75 W	
XP02132	Xclear INOX UV-C 130 W Amalgam	
E800902P	Lamp Philips TUV 36T5 75 W HO 4P-SE Base C AM	A
E800904	Lamp Philips TUV XPT 130 W 4P-SE Amalgam Base E	A
QG015	Quartz Glass VSC 933 x 25 mm 40/75/80 W AM	C
QG012	Quartz Glass VSC 920 x 30 mm 130 / 140 W AM	C
E800912	Set (3pcs) O-ring for quartz glass	B
EP075005.1	Electrics Inox UV-C 75 W Xclear	G
EP130004.1	Electrics Inox UV-C Amalgam Xclear	G
B212002	Housing for Inox UV-C 75 / 130 W	H
B290020	Reduction piece 63/63 3/4" wire for flow switch Amalgam	I
B290021	Reduction piece 60,5/60,5 3/4" wire for flow switch Amalgam	I
E801220	Flow switch complete	L

* Optional

B290177	Tapping saddle 50x3/4" male thread for flow switch	V
B290170	Tapping saddle 63x3/4" male thread for flow switch	V
B290176	Tapping saddle 75x3/4" male thread for flow switch	V



IMMERSION UV-C

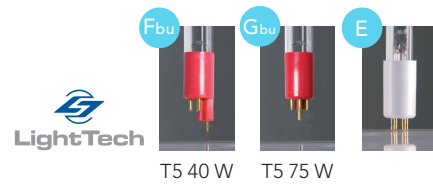


NOTE:

- This product is only intended for professional use.
- It should be installed in a professional application or assembled with other appliances.
- Before using this product the installer/user must take care that the product complies to the latest local applying standards for UV-C units.

Submersible UV-C lamps have a big advantage compared to conventional UV-C units: no pressure loss.

- These lamps can be used in filter tanks so the water can pass without any resistance/pressure loss.
- The plastic end of the lamp has a 32mm diameter so you can use 32mm pipe clips to mount the lamp in a tank.
- A special tank connector is available for direct installation in i.e. filters (see picture).

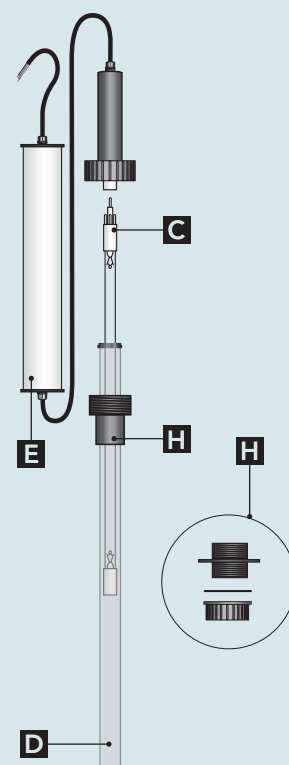


for more lamp information see page 21-23

Item No.	Type	UV-C Lamp
XP01402	Immersion UV-C 40 W	40 W T5
XP01752	Immersion UV-C 75 W	75 W T5
XP01402.1	Immersion UV-C 40 W Amalgam	40 W Amalgam T5
XP01802	Immersion UV-C 80 W Amalgam	80 W Amalgam T5
7201269	Tank connector 1½"	-

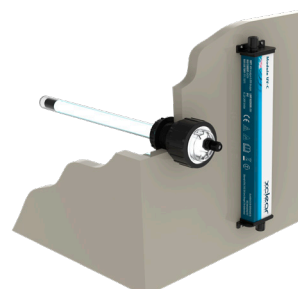
IMMERSION UV-C SPARE PARTS

Item No.	Type	Part
XP01402	Xclear Immersion UV-C 40 W	
XP01752	Xclear Immersion UV-C 75 W	
XP01402.1	Xclear Immersion UV-C 40 W amalgam	
XP01802	Xclear Immersion UV-C 80 W amalgam	
F980078BU	Lamp VGE T5 40 W 4P Base F(bu)	C
F980079BU	Lamp VGE T5 75 W 4P Base G	C
4800070AM	Lamp VGE Lighttech T5 40 W Amalgaam Base C	C
4800082AM	Lamp VGE Lighttech T5 80 W Amalgaam Base C	C
3100837	Quartz Glass Immersion 679 x 25 mm 40/75 W AM	D
3100847	Quartz Glass Immersion 384 x 25 mm 40 W Amalgam AM	D
3100835	Electrics Immersion UV-C 40 W	E
3100836	Electrics Immersion UV-C 75 W	E
3100842	Electrics Immersion UV-C 40/80 W Amalgam	E
3900684	External threaded socket for quartz glass Immersion	H
7201269	Tank connector 1/2"	H



UV-C DISINFECTION SYSTEMS

MODULE UV-C



ONLY POND PRO

The Module UV-C is our latest addition of UV-C disinfection systems with one big advantage: no pressure loss.

- These lamps can be used in filter tanks so the water can pass without any resistance/pressure loss.
- The unit is very easy to install.
- The transparent lamphead makes it easy to see if the lamp is turned on or off.
- A special tank connector is available for direct installation in i.e. filters (see picture).
- The Signal control unit comes with a visual indication when to replace the lamp.

NOTE:

- This product is only intended for professional use.
- It should be installed in a professional application or assembled with other appliances.
- Before using this product the installer/user must take care that the product complies to the latest local applying standards for UV-C units.
- There are two choices for control units.

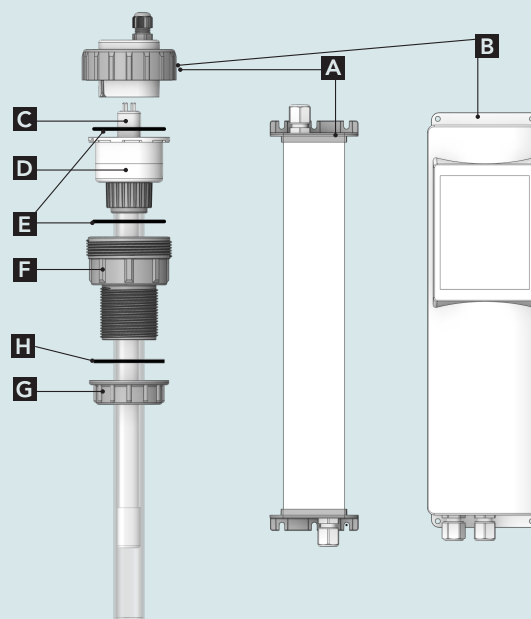


for more lamp information see page 21-23

Item No.	Type	UV-C Lamp
XP08402	Xclear Module UV-C 40 W Amalgam	40 W Amalgam
XP08802	Xclear Module UV-C 80 W Amalgam	80 W Amalgam
XP09402	Xclear Module UV-C 40 W Amalgam Signal	40 W Amalgam
XP09802	Xclear Module UV-C 80 W Amalgam Signal	80 W Amalgam

MODULE UV-C SPARE PARTS

Item No.	Type	Part
XP08402	Xclear Module UV-C 40 W Amalgam	
XP08802	Xclear Module UV-C 80 W Amalgam	
XP09402	Xclear Module UV-C 40 W Amalgam Signal	
XP09802	Xclear Module UV-C 80 W Amalgam Signal	
EP080013	Electrics for Xclear Module UV-C 40/80 W Amalgam	A
EP080012	Electrics for Xclear Module UV-C 40/80 W Amalgam Signal	B
3903110	Lamp VGE T5 40 W Amalgam Base C	C
3903111	Lamp VGE T5 80 W Amalgam Base C	C
QG104	Quartz Glass VSC 667 x 25 mm 80 W AM	D
QG018	Quartz Glass VSC 400 x 25 mm 40 W AM	D
3902041	O-ring 56 x 3	E
F990713	Feed-through adapter	F
7107813	Counter nut black	G
3902046	Flat gasket	H



XCLEAR POND UV-C 42W

NEW!!



The Xclear Pond UV-C 42 W is a stand-up pond-UV especially made for above ground and basic inground ponds. A plug and play concept that is powerful, affordable, and easy to install. Now literally all pond owners can enjoy safe and healthy pondwater sustained by our UV-C technology.

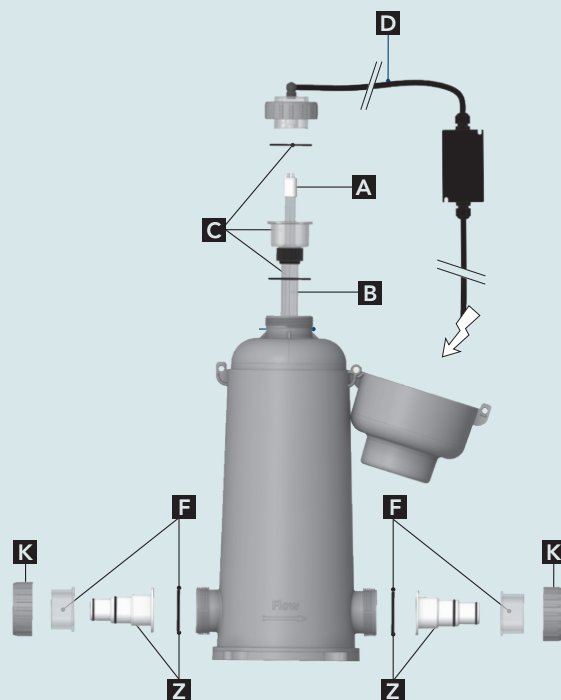


for more lamp information see page 21-23

Item No.	Type	UV-C Lamp	Pond volume	Max. flow	Max. Press.
XE09422	Xclear Pond UV-C 42W	42 W	42,000 l	15 m ³ /h - 250 l/min	1 bar

XCLEAR POND UV-C 42W SPARE PARTS

Item No.	Type	Part
3903114AM	Lamp VGE T5 42W Base Y AM Packed	A
QG129	Quartz Glass VSC 478 x 25 mm AM	B
E800912	O-Ring for quartz sleeve (3 pieces)	C
SP0080	Electrics for Xclear Pond UV-C 42 W	D
SP0078	Reduction piece 63mm out 50mm (2 pieces) + O-Ring for 3-way connection (2 pieces)	F
SP0086	2 x Black nut + sealing rings	K
SP0077	2 x hose adaptor flanged 65mm 38/32 + sealing rings Xclear Pond UV-C	Z





VGE PRO FOR PROFESSIONAL UV DISINFECTION SOLUTIONS

What makes the VGE Pro UV-C systems unique?

- VGE Pro UV-C systems have a stainless steel 316L or a HDPE treatment chamber
- Lamp (re)placement while unit is pressurised
- Visual lamp function indication on each lamp head
- VGE Pro UV units have Smart Pin Technology (SPT) or Single-end Bayonet Technology (SBT) for low-pressure and medium-pressure UV lamps, respectively, so that the lamps can be easily and safely replaced without removing connectors or shields
- Low pressure amalgam lamps for high performance levels, irrespective of the temperature of the water
- High quality lamps with a lifetime up to 16.000 and 9.000 hours for low-pressure and medium-pressure UV lamps, respectively
- Single systems can handle flows ranging from 0.5 m³/h up to 550 m³/h
- Customization of the device to your own specifications possible

VGE Pro UV control units

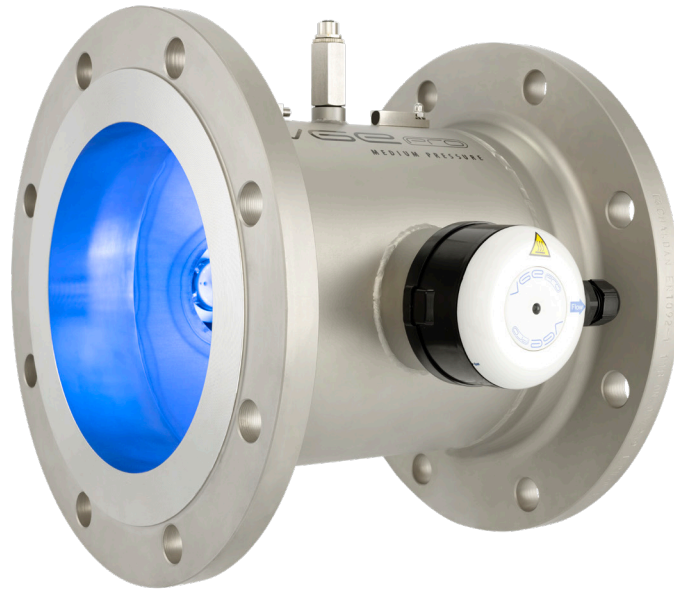


The VGE Pro Medium Pressure lamp UV systems can be controlled by two different systems: the Compact and Comfort controller.

The Compact controller is suitable for the Multimax and 600-85 medium pressure units and is a basic controller with a LED lamp life indicator.

The Comfort controller is suitable for the 600-85 up to 3000-326 medium pressure lamp units.

Optionally, a digital INOX UV-C sensor and/or a bolt-on treatment chamber temperature sensor can be connected.



INOX MEDIUM PRESSURE UV LAMP SYSTEMS

Benefits Medium Pressure lamp UV

The VGE Pro product range has low pressure and medium pressure UV lamp based systems. The medium pressure UV lamps emit a wide spectrum of Ultraviolet (UV) radiation which not only gives very good disinfection results but is also excellent for photolysis applications like the reduction of chloramine in pool applications. The single-ended lamp in combination with the S.B.T. (Single-end Bayonet Technology) and the on-chamber visual lamp status indication makes the systems extremely user friendly. We offer different systems with medium pressure lamps ranging from 400 W up to 3.5 kW.

- Compact design
- Cross flow treatment chamber design with low pressure loss
- Easy to (re)place single ended lamp
- Effective chloramine reduction

Single-end Bayonet Technology (SBT)

The lamp base is equipped with a bayonet technology closure. The lamp itself is single-ended which not only makes it easy to install and replace but also requires service space at only one side of the treatment chamber.

Benefits SBT



- Easy to (re)place
- Visual lamp indication in the lamp head
- Fast lamp (re)placement without tools
- Long lamp life



INOX LOW PRESSURE UV LAMP SYSTEMS

Benefits INOX UV

The high quality 316L stainless steel reactor of the VGE Pro INOX series have been designed to perform. After the high quality welding process the units are leak tested. After this process they get a pickling and passivation treatment which drastically improves the corrosion resistance and lifetime of the unit. Another last treatment with glass pearls (shot peening) gives the units a nice, matt grey surface.



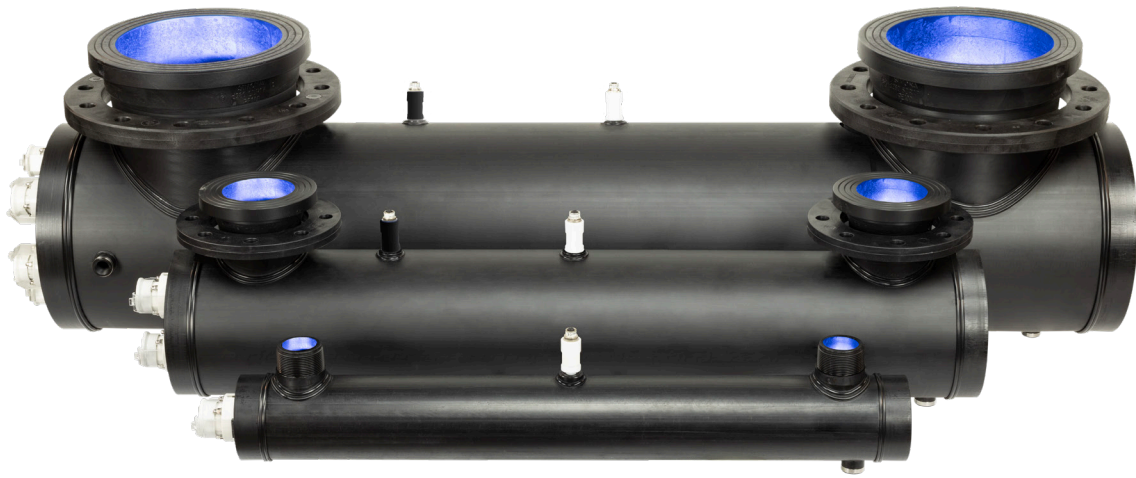
- High corrosion resistance
- Easy to install
- UV radiation reflection
- Optional digital INOX UV-C sensor and bolt-on temperature sensor

VGE Pro UV control units



For the VGE pro UV systems based on low pressure UV lamps four different types of control units are available:

- Basic, high frequency and high efficiency lamp driver functionality;
- Control Timer, as Basic with LED display for lamplife indication;
- Control Monitor, as Control Timer with 2 line multicolour LCD display for lamplife indication, on/off counter and for UV intensity monitoring;
- Control Monitor Plus, as Control Monitor with 4 line display and full process control include water/ chamber temperature measuring and control.



HDPE LOW PRESSURE UV LAMP SYSTEMS

Benefits HDPE UV

The high quality HDPE treatment chamber. of VGE Pro HDPE series have been designed to treat highly corrosive water. Besides that, HDPE is resistant to UV radiation. They are suited for all kinds of disinfection and UV-C treatment applications and can even be used for the production of ultrapure water, semiconductor-, pharmaceutical- and cosmetic industry.



- UV radiation resistant
- Suitable for corrosive water
- Easy to install
- Optional digital teflon UV-C sensor and HDPE water temperature sensor

Smart Pin Technology (SPT)

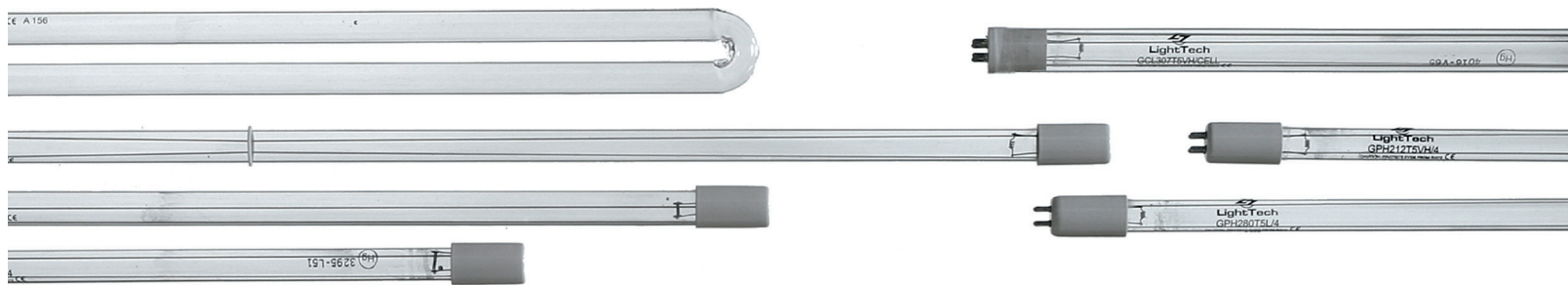


The VGE Pro UV-C Disinfection systems are equipped with the unique Smart Pin Technology (SPT). This innovative system is a reliable way to integrate the UV-C lamp(s) in a safe, efficient and smart way in a reactor. The SPT makes it possible to replace the lamp safely, although the system is filled with water and pressurized.

- Prevents the release of harmful UV-C radiation
- Changing the UV-C lamp with water in the system
- Splash proof
- Visual inspection for operation of the lamp
- Clamping system for optimal seal function
- Lamp replacement without tools

UVC Germicidal Lamps Global Leaders

Light Sources and Lighttech, global leaders in UVC Germicidal Lamps, offer unmatched innovation in the design and manufacture of our lamp products. With both of our state of the art manufacturing facilities, we can supply the world market with high-quality standard lamp designs as well as custom designed lamp solutions for your specific applications.



- Amalgam Lamps
- Soft Glass
- U Shaped
- Cell Lamps
- Compact Lamps
- Standard Output
- High Output
- Ozone Producing
- Medium Pressure (MPUV/MPHO)
- OEM - Proprietary Base Solutions
- Custom Lamp Configurations

UV-C LAMPS

The lamps in a UV-C disinfection system should be replaced periodically for optimal disinfection performances. To replace these lamps, VGE B.V. has a wide range of high quality UV-C lamps for nearly all UV-C disinfection systems. For the professional market it's also possible to deliver special high quality lamps with a higher wattage. For example lamps of 325 and 400 watt. Please contact us by e-mail: info@vgebv.nl for the actual prices and delivery times.



PL-S LAMPS are compact UVC (germicidal) lamps used in residential water and air disinfection units. The compact size of the lamp allows for a small system design and design flexibility. Thanks to the single-ended lamp base, lamp replacement is easy.



PL-L LAMPS are compact UVC (germicidal) lamps used in water and air disinfection units. The compact size of the lamp allows for a small system design and design flexibility. Thanks to the single-ended lamp base, lamp replacement is easy.



TL MINI LAMPS are slim double-ended UVC (germicidal) lamps used in residential water and air disinfection units. The small 16 mm diameter of the lamp allows for a small system design and design flexibility.



TL LAMPS are double-ended UVC (germicidal) lamps used in professional air disinfection units. Moreover, they have a long and reliable lifetime, which allows maintenance to be planned for in advance.



T5 LAMPS are single ended UVC (germicidal) lamps used in professional water and air disinfection units. The small 16 mm diameter of the lamp allows for a small system design and design flexibility. T5 lamps offer almost constant UV output over their complete lifetime, for maximum security of disinfection and high system efficiency.



PHILIPS SMART CAP technology is a development for optimal safety! The lamp foot and the fitting, that goes into the housing of the lamp, are both provided with a safety switch. As soon as the lamp is taken out of the housing, the power supply is interrupted causing the lamp to switch off. This guarantees optimal safety during maintenance.



T6 are single ended UV-C (germicidal) lamps used in professional water and air disinfection units. The 19 mm diameter of the lamp allows for a small system design and design flexibility. T6 lamps offer almost constant UV output over their complete lifetime, for maximum security of disinfection and high system efficiency. The T6 is mostly uses in the amalgam version.



VGE SMART PIN TECHNOLOGY
SPT makes it possible to replace the lamp safely, while the system remains filled with water. If the lamp is not turned off during the replacement, it will switch off automatically as soon as it is removed from the socket. Due to the seal between the lamp socket and lamp, the system can be used in situations where IPx4 is required. The high-quality ceramic is an excellent electrical isolator and is resistant to corrosion. A visual observation of the operation of the lamp is no problem through various transparent parts.



SBT lamps The lamp base is equipped with a bayonet technology closure. The lamp itself is single-ended which not only makes it easy to install and replace but also requires service space at only one side of the irradiation chamber.

UV-C LAMPS

TL BULBS

ITEM NR.	BRAND	MODEL	BOX	TYPE	BASE
3903557	Philips	TUV TL-MINI 6 W FAM	25	TL	I
3903558	Philips	TUV TL-MINI 8 W FAM	25	TL	I
3903559	Philips	TUV TL 10 W 1SL T8	25	TL	I
3903563	Philips	TUV TL-MINI 11 W FAM	25	TL	I
3903560	Philips	TUV TL 15 W 1SL T8	25	TL	I
3903574	Philips	TUV TL-MINI 16 W	25	TL	I
3903561	Philips	TUV TL 25 W 1SL T8	25	TL	I
3903564	Philips	TUV TL 30 W 1SL T8	25	TL	I
3903565	Philips	TUV TL 36 W SLV	6	TL	I
3903562	Philips	TUV TL 55 W 1SL HO T8	6	TL	I
3903570	Philips	TUV TL 75 W HO T8	6	TL	I
3903071	VGE	TL 30 W T8	25	TL	I
3903072	VGE	TL 55 W T8	25	TL	I

T5 & T6 BULBS

ITEM NR.	BRAND	MODEL	BOX	TYPE	BASE
E800900	Philips	TUV 16 W 4P-SE UNP	1	T5	C
E800901P	Philips	TUV 36T5 40 W 4P-SE	1	T5	C
E800902P	Philips	TUV 36T5 HO 75 W 4P-SE	1	T5	C
3903567	Philips	TUV 64T5 75 W 4P-SE (1.56m)	1	T5	C
B280005	Philips	TUV Smart Cap 75 W	1	T5	D
B280006	Philips	TUV Smart Cap 40 W	1	T5	D
E800904	Philips	TUV XPT 130 W 4P-SE Amalgam	1	T6	E
3903022	LightTech	T5 11 W 4P-SE	1	T5	C
E800901L	LightTech	T5 40 W 4P-SE	1	T5	C
E800902L	LightTech	T5 75 W 4P-SE	1	T5	C
F980005	LightTech	T6 130 W 4P Amalgam	1	T6	E
3903025	VGE - LightTech	T6 325 W 4P-SE Amalgam	1	T6	E
F980115	LightTech	T6 200 W 4P Amalgam	1	T6	E
4800070AM	VGE - LightTech	T5 40 W 4P Amalgam	1	T5	C
4800082AM	VGE - LightTech	T5 80 W 4P Amalgam	1	T5	C
3903073	VGE	4P-SE 40 W T5	25	T5	C
3903074	VGE	4P-SE 75 W T5	25	T5	C



PL BULBS

ITEM NR.	BRAND	MODEL	BOX	TYPE	BASE
3903005	Philips	TUV PL-S 5 W /2P	10	PLS-S	A
3903009	Philips	TUV PL-S 7 W /2P	10	PLS-S	A
3903010	Philips	TUV PL-S 9 W /2P	10	PLS-S	A
3903013	Philips	TUV PL-S 9 W /4P	10	PLS-S	-
3903020	Philips	TUV PL-S 11 W /2P	25	PLS-S	A
3903030	Philips	TUV PL-L 18 W /4P	25	PL-L	B
3903033	Philips	TUV PL-L 24 W /4P	25	PL-L	B
3903040	Philips	TUV PL-L 36 W /4P	1	PL-L	B
3903050	Philips	TUV PL-L 55 W /4P	1	PL-L	B
B212012	Philips	Replacement module 12 W 230 V	1	PL-S	J
B212012 USA	Philips	Replacement module 15 W 230 V	1	PL-S	J
4610007	Philips	TUV PL-L 60 W /4P	1	PL-L	B
3903095	Philips	TUV PL-L 95 W /4P	1	PL-L	B

UNIT SPECIFIC LAMPS

ITEM NR.	BRAND	MODEL	BOX	TYPE	BASE
F980065	VGE - LightTech	T5 16 W 4P-SE	1	T5	G
F980068	VGE - LightTech	T5 40 W 4P-SE, length 365mm (short)	1	T5	F
F980002	VGE - LightTech	T5 40 W 4P-SE	1	T5	F
F980004	VGE - LightTech	T5 75 W 4P-SE	1	T5	F
F980078BU	VGE - LightTech	T5 40 W 4P-SE	1	T5	F
F980079BU	VGE - LightTech	T5 75 W 4P-SE	1	T5	G
4800033	VGE - LightTech	T5 75 W 4P-SE Ozone	1	T5	H
F980008	VGE - LightTech	T6 130 W Amalgam 4P	1	T6	M
F980010	VGE - LightTech	T5 80 W 4P	1	T5	X
F980020	VGE - LightTech	T6 140 W Amalgam 4P	1	T6	X
F980120	VGE - LightTech	T5 21 W 4-	1	T5	G
B280002	Blue Lagoon - LightTech	T5 40 W Ionizer, length 635mm (short)	1	T5	K
B280001	Blue Lagoon - LightTech	T5 75 W Ionizer, length 645mm (short)	1	T5	K
F980086	VGE	Replacement lamp Delta EA-3H-5 / 35 W	50	T5	C
F980080	VGE	Replacement lamp Delta EA-3/4H-10 / 45 W	50	T5	C
F980082	VGE	Replacement lamp Delta EA-4/4H-20 / 90 W	50	T5	C
F980084	VGE	Replacement lamp Delta EA-4H-40 / 110 W	60	T5	C
F980088	VGE	Replacement lamp BIO-UV 10 / 38 W	50	T5	C
F980090	VGE	Replacement lamp BIO-UV 20 / 59 W	50	T5	C
F980092	VGE	Replacement lamp BIO-UV 30 / 87 W	50	T5	C
F980094	VGE	Replacement lamp BIO-UV 40 / 102 W	60	T5	C
3903114AM	VGE	T5 42W	1	T5	Y



Clean and safe pool water

Swimming pools and spas are the perfect places to stay fit, have fun and relax. Unfortunately, they're also the perfect breeding ground for unwelcome guests: bacteria, viruses and other primitive organisms. The good news is there's a better way to clean water than with high doses of harsh chlorine: UV treatment. The brightest solution for safe, clean and healthy swimming water.

The clear choice

Our UV-C lamps significantly reduce the required concentration of chemicals needed to keep the pool clean. Saving swimmers from red eyes and skin irritations, not to mention unpleasant chlorine aromas in their hair and skin – making UV-C treated pools the preferred choice of swimmers.

Pure innovation

Philips UV-C lamps provide up to 12,000 hours of clean pool water. With a long and reliable lifetime, low energy and maintenance costs, and high end-of-life output. Containing very low levels of mercury, they're clearly better for the environment when they're disposed of.

You're safe with us

Philips has been at the forefront of innovation for over 100 years. Our comprehensive range of UV-C solutions covers water, air and surface disinfection, using low and medium pressure mercury lamps.

To find out more dive into our website at www.philips.com/uvpurification

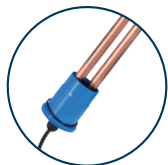
innovation  you



PHILIPS

POND EQUIPMENT AND SUPPLIES

ANTI ALGAE COPPER ELECTROLYZER



An ideal and effective method against (blanket)weed. The Copper Electrolyzer is installed before the pond return inlet. The pond water flows through the Copper Electrolyzer unit. A copper unit, or Electrolyzer, is positioned within the housing, and the copper unit discharges a minimal amount of copper ions into the water flowing through the housing. These copper ions (Cu²⁺) in the water have a positive charge and attach to and destroy the cell walls of algae, bacteria, viruses and other primitive organisms. As the cell wall is thereby damaged, these organisms are no longer able to take up any nutrients, and are therefore unable to multiply. The process of applying a positive charge to copper is called copper electrolysis. Inlet/outlet: Ø50 mm.

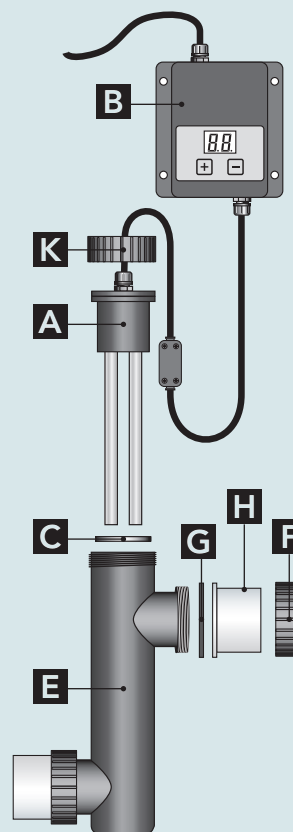
PLEASE NOTE: (too much) copper is harmful for fish!

Pending EU regulations or conditional approval, national regulations apply to the trade and use of copper-containing products. The copper used in these units complies with the REACH registration. It is the sole responsibility of the buyer to inform himself/herself about applicable local regulations regarding the use of (and trade in) copper for water disinfection.

Item No.	Type	Size	Max. Dosage
3300029	Copper Electrolyzer	50 mm	0,7 ppm

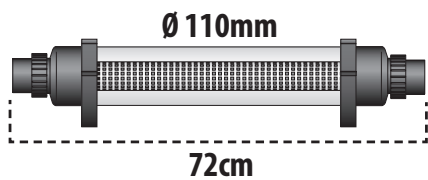
ANTI ALGAE COPPER ELECTROLYZER SPARE PARTS

Item No.	Type	Part
3300029	Xclear Anti Algae Copper Electrolyzer	
B290076	Control Box for Copper Electrolyzer	B
3300027	Housing Xclear Anti Algae Copper Electrolyzer	E
B290029	Copper v unit for Blue Lagoon UV-C Ionizer	A
3901045	Nut 70mmx33.5mm BLACK	K
E801509	O-Ring for 3-way connection (1 piece)	G
3902068	O-ring 56x3 UV-C housing/glass SIL	C
B220013	Nut ABS black	F
E801136	Glue socket 50mm transparent ABS	H



POND EQUIPMENT AND SUPPLIES

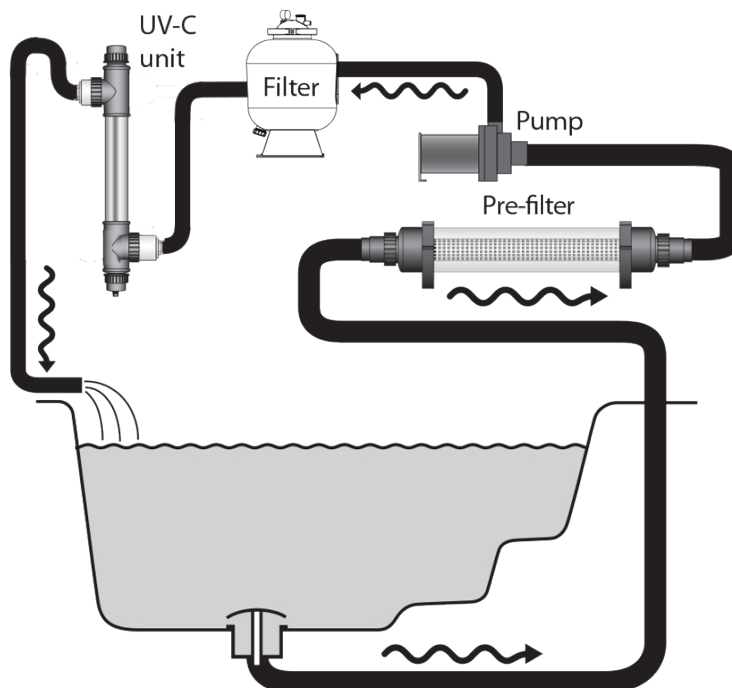
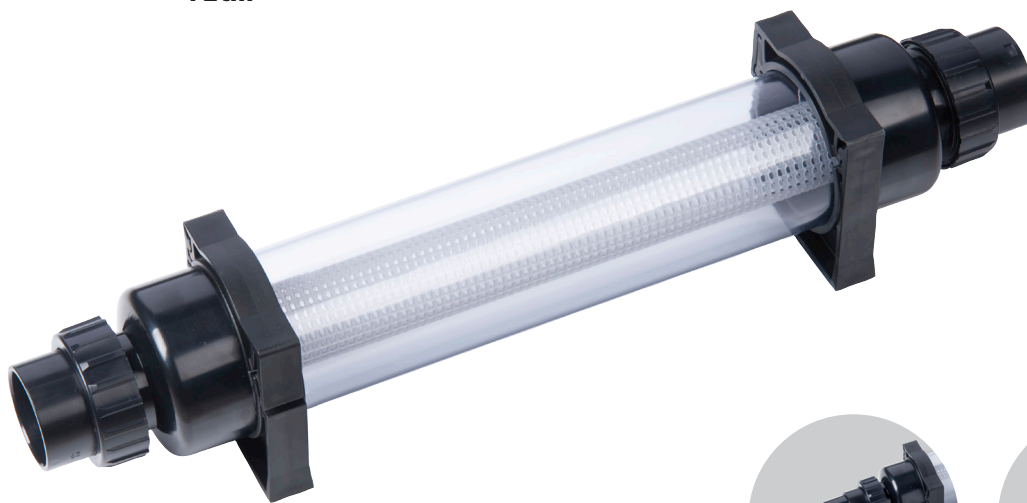
PRE-FILTER



The pre-filter provides you an additional tool to keep your pond clean. The pre-filter ensures that larger pollutants in the pond water, such as leaves, small branches and larger algae particles are collected before they are caught up in the pump or in the filter.

BENEFITS

- Prevention that larger particles will clog up or overload the filter.
- Protects the lifespan of the pond pump.
- Transparent housing; easy to see when it requires cleaning.



Item No.	Type	Max. flow	Max. pressure	Size
5053029	Pre-filter	25m ³ /h	2 bar	Ø110 mm x 720 mm

XCLEAR FISH FEEDER



SMALL QUANTITIES
CAN BE DOSED,
LEAVING NO
UNNECESSARY
POLLUTION

Due to its 3-button controller the Xclear Fish Feeder is very easy to program and operate. Using the Xclear automatic fish feeder will get the most out of your fish by always giving them the correct amount of food. This results in optimal growth and a more beautiful colour pattern for fish, such as koi. Also suitable for fish farms, control several feeders simultaneously by external automation.

OPERATION

- Very easy 3-button operation and programming.
- Configure the quantity of food by setting the required dispensing time per feeding from 0 to 600 seconds.
- Easy-to-set automatic feeding times.
- Food container for 7 liters of food.
- With 9 meters of electric cable.
- Can feed from 1 to 24 times a day.

BENEFITS

- No unnecessary pollution of the water.
- The filter is less likely to become clogged by food residue.
- Healthier for your fish.
- Suitable for pellet sizes between 2 and 9 mm.
- Labour-saving.
- External automation possible for one or more feeders.
- Including installation bracket.
- Made in the Netherlands.



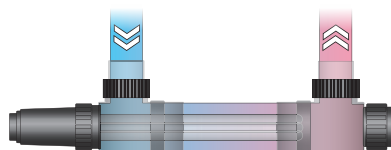
Item No.	Type	Connection	Box
6051800N	Automatic Fish Feeder	220V	4

POND EQUIPMENT AND SUPPLIES

PROFIHEATER

The Xclear ProfiHeater is a professional stainless steel pond heater.

To raise the temperature of 1m³ water in 1 hour by 1°C requires about 1.000 kcal. This formula is only an indication, as the temperature also depends on surface area and any insulation that may be present. All models have been fitted with an adjustable thermostat that can be regulated up to 40°C. The heating element with the temperature probe, as well as the inside of the casing are made of high-quality stainless steel. ProfiHeaters can be connected using pond tubing or PVC tubing. Including fittings. It is advised to use a flow switch to prevent overheating of the unit at insufficient water flow.



STAINLESS STEEL

Item No.	Type	Consumption	Max. Flow	Pond size
6900455	ProfiHeater 1 kW (860 kcal/h)	1000 W	20 m ³ /h 330 l/min	5.000 L
6900456	ProfiHeater 2 kW (1720 kcal/h)	2000 W	20 m ³ /h 330 l/min	10.000 L
6900457	ProfiHeater 3 kW (2580 kcal/h)	3000 W	20 m ³ /h 330 l/min	15.000 L

STATIC MIXER

Using the Static Mixer results in a proper distribution of oxygen in your water with low hydrostatic pressure. By improving the design the water is mixed even better, leading to the desired results!



Static Mixer



Static Mixer Union

PVC

OPERATION

The water together with air is divided in the static mixer, resulting in optimal mixing. The water and air passes through the PVC vanes and the air (possibly in combination with ozone) is quickly and efficiently mixed with the water. Due to the relatively low pressure loss, an energy-efficient pump can be used.

BENEFITS

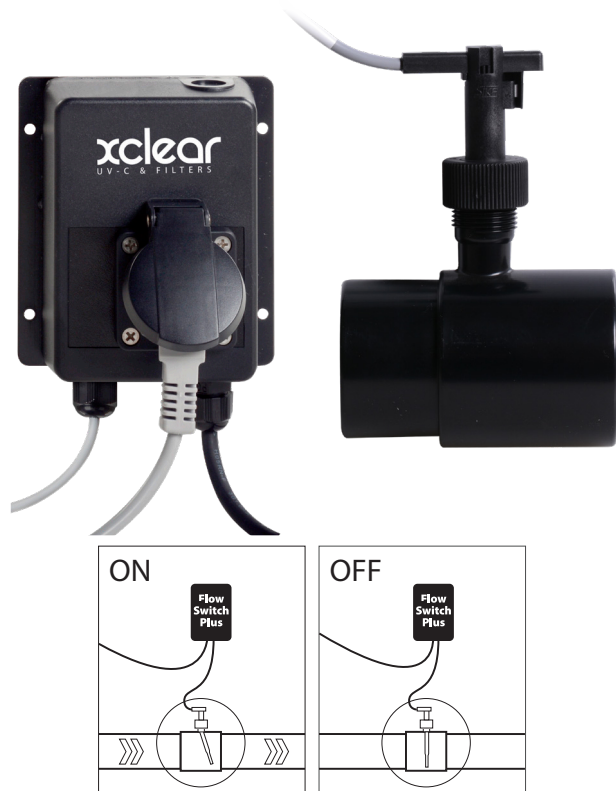
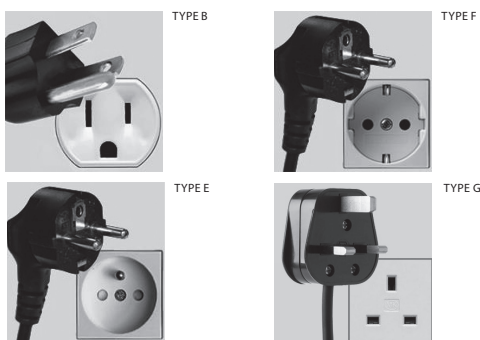
- Easily connects to filter- or plumbing system.
- Extended mixing surface.
- Corrosion resistant.
- Including air inlet.
- Also possible to use the mixer in a low-pressure system, using an energy-efficient pump.
- Also suitable for saltwater.

Item No.	Type	Size
4800016	Static Mixer Ø 75 mm	75 mm
4800030	Static Mixer Union Ø 75 mm	75 mm

FLOW SWITCH PLUS

The Flow Switch Plus is the ideal protection for an electrical device in your pond installation. At insufficient water flow the Flow Switch Plus will turn off the connected device (e.g. a UV-C disinfection system).

- Prevents damage caused by running dry of devices rated at up to 10 amps.
- Easy installation thanks to the compact design.
- Easy to combine.
- Easy to integrate in an existing piping system, because of the special tee fitting.



Item No.	Type	Connection
5056581	Flow Switch Plus 120 V (type B)	2"
5056585	Flow Switch Plus 230 V (type E)	63 mm
5056577	Flow Switch Plus 230 V (type F)	63 mm
5056589	Flow Switch Plus 230 V (type G)	2"

BIO BALLS

High quality Bio Balls with a unique shape for biological filtration and a better water partition (trickle filters). High quality materials for long life span. Various sizes, specially made for pond use. Total surface: 8797mm², protected surface: 7037 mm².



Item No.	Type	Content
4902611	Bio Balls Bag	10 liter
4902017	Bio Balls 30 mm big bag	(± 72.000 pieces)

BIO BLOCKS

Useful bacteria growing on the huge surface area provided by these filter elements, converts harmful toxic fish wastes into relatively harmless by-products which are then removed by the plants or water changes. Size: Ø50 mm, height: 29 mm, total surface: 18897mm², protected surface: 11338 mm².



Item No.	Type	Content
4902613	Bio Blocks Bag	10 L (± 90 pcs.)
4902629	Bio Blocks Bag	25 L (± 225 pcs.)
4902010	Bio Blocks Bag	± 500 pcs.
4902015	Bio Blocks Bag	± 2.000 pcs.

PROMOTIONAL ACTIVITIES

XCLEAR PROMOTIONAL ACTIVITIES SUPPORT

At VGE B.V., we realize it's not always easy for wholesalers to convince (potential) customers of new technologies and the latest products they have in stock. New and improved technologies emerge at a high pace. It can be difficult to stay up-to-date of the latest innovations of UV-C pond disinfection systems and pond supplies - let alone convince customers why they should buy them. That's why B.V. came up with Marketing Packages.

To fully prepare for the upcoming pond season and to support promotional activities, Xclear provides her customers with Marketing Packages. Customers receive the Xclear catalogue, UV-C marketing pack and the Pond supplies marketing pack. In the files they can find:

- Brochures
- Catalogue text and pictures in order to update catalogue/website content
- Product flyers to share with the public
- Product sheets to understand the technology
- The 6 benefits of UV-C disinfection systems for ponds
- Spare part overviews
- Video's

XCLEAR ACCELERATES YOUR DELIVERY TIME

As a professional in the pond industry, your challenge is to deliver products in time, all the time. Your challenge is to minimize the time between receipt of a customer order and receipt of the goods from the manufacturer or supplier. That's why at Xclear, our goal is to accelerate your delivery time and therefore your customer service. One of the top priorities is the continuous increase of our performances. One way to enable this is by constantly improving our time to market. This way you are able to:

- Control your planning more adequately
- Manage your stock better

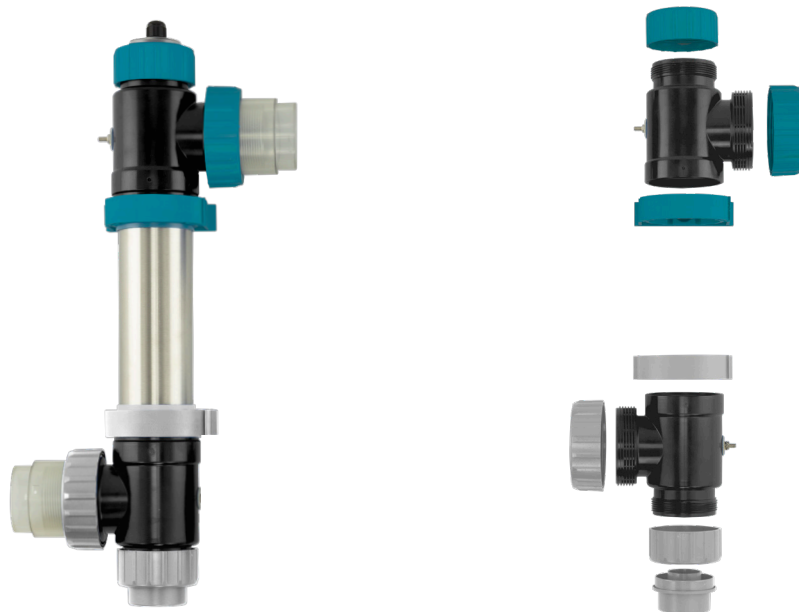
Currently, we deliver to more than 70 countries worldwide. As transparency is highly valued with Xclear, appointments considering delivery and service are always predetermined.

Our service benefits are clear, now it's time to share them with the world! If you require any other information, knowledge of our products or other promotional material, simply contact us and let us know.

'If you are curious how an informative seminar from a UV-C specialist can benefit the sale of your product assortment, please don't hesitate to contact us.'



PRIVATE LABEL



PRIVATE LABEL TERMS AND CONDITIONS VGE B.V.

Your product assortment can be easily extended with your own UV-C equipment. Your own packing, your own commercial appearance and your own brand development!

OPTIONS

Private label basic package:

- Blank packing with your own designed product sticker
- Neutral manual
- Your own product labels
- Standard lamp and spare parts

Basic package can be extended with:

- Full colour packing
- Customized product colour
- Your own manual
- Private label UV-C lamp (fitting colour / logo)
- Private label UV-C lamp (with own fitting)
- Other wishes negotiable

INVESTMENT

The customer must make a down payment for the purchase of deviant parts and packaging, depending on the chosen options. This down payment will be deducted from the product retail price. The investment will be fully settled after the complete purchase of the private label products has been made. This means that there will not be any additional costs.

MINIMUM PURCHASE

The minimum purchase per order depends on the device type and the chosen package. The minimum order and purchase schedule is to be agreed on.

UV-C LAMP CHOICE

The choice of the UV-C lamp for the device is very important for future aftersales. A UV-C lamp needs to be changed regularly. By choosing a UV-C lamp with a unique fitting, you assure yourself with returning revenue and new sales opportunities. You will be the only retailer that sells the lamp. It is possible to choose for a UV-C lamp with a unique fitting or fitting colour and it is also possible to have your logo printed on the lamp.

' Your own private label UV-C units '



VGE B.V.
Nieuwe Eerdsebaan 26
5482 VS Schijndel
The Netherlands

Tel. +31 88 222 1999
info@vgebv.nl
www.vgebv.com
www.xclear.nl

